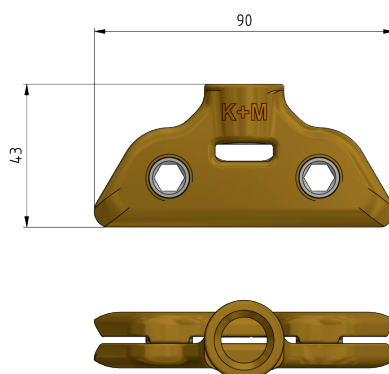
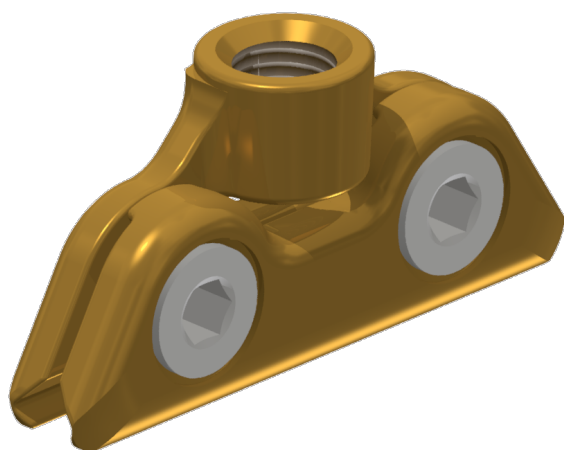
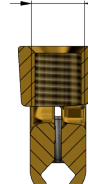


# Contact wire clamp ETB with thread M16, for grooved contact wire 100-120 mm<sup>2</sup>

Item number B0348-04



B0348-01: 5/8"  
B0348-02: 1/2"  
B0348-03: M12  
B0348-04: M16  
B0348-05: M10



## Dimensions

C: M16  
B: 43 mm  
A: 90 mm

## Material and weight

Material: CuAl

Weight: 0.205 kg

## Comments

- For grooved contact wire 80 till 120 mm<sup>2</sup> (Other contact wire sections on request)
- Tightening torque on installation  
Counterstunk screw M14 - 40 Nm (29.5 lbf)