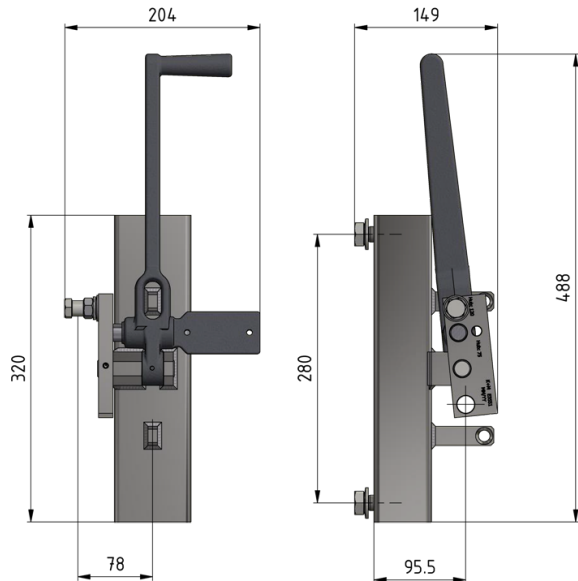
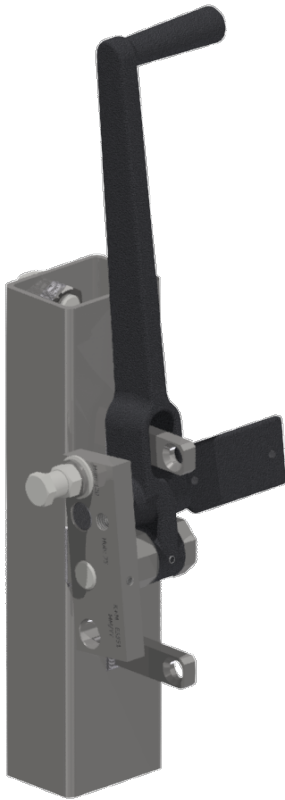


# Manual operation, lifting 75/120 mm without indication sign

Item number B1179-01



## Dimensions

B: 95.5 mm

C: 280 mm

Ø: M16

A: 78 mm

## Material and weight

Weight: 5.750 kg

Material: STL HDG

## Comments

- For disconnect switch Duplex 3.6 kV
- For disconnect and change-over switches with horns 3.0 kV
- Indication sign to be ordered separately
- Switch lockable in both positions by means of padlock