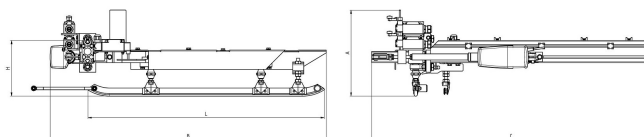
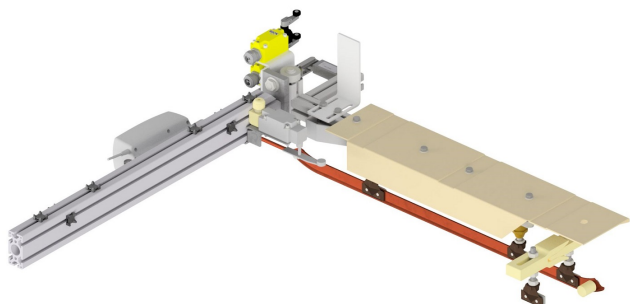


Contact wire bridge electric TW for depot entries and exits, execution left, drive tension 24 V DC

Item number B1182-21



Dimensions

A: 312 mm

B: 1000 mm

C: 1013 mm

L: 860 mm

H: 202 mm

Material and weight

Weight: 14,9 kg

Material: Al, St, Cu, GFK, PA6

Function

- For bridging the catenary through a sliding gate at Tramway depots
- Pivotable, electric drive
- No track separation, constant power supply to the tramway

Specification

Operating voltage: max. 1500 V DC

Speed: max. 20 km/h

Comments

- Swiveling, electric drive
- For vertical- and horizontal doors