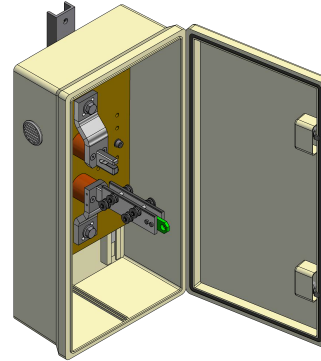
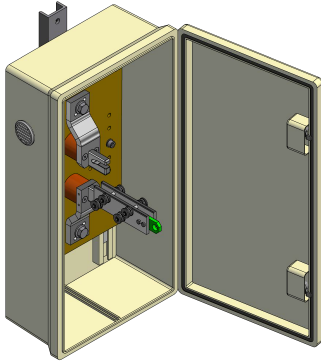


Knife-blade disconnect switches with 1 knife-blade for 1 feeding (with 1 entry and 1 exit)

Item number B1513-01



Dimensions

length: 820 mm
width: 386 mm
height: 266 mm

Material and weight

Weight: 22.6 kg
Material: GRP

Applicable standards

EN 50119-1: 2009

EN 50123-1: 2003

EN 50124-1: 2001

Specifications

Nominal voltage: 1.5 kV DC
Rated operating current: 1 kA

Comments

- With attachment cross bracket
- Without drilled hole for entries and exits Use
- Cylinder of a lock as per indication, the keys are included