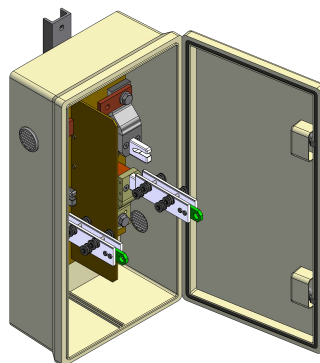
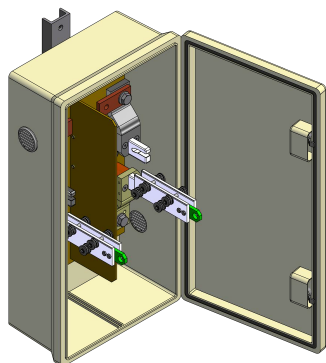


# Knife-blade disconnect switches with 2 knife-blades for feeding + and - (with 2 entries and 4 exits)

Item number B1514-03



## Dimensions

length: 820 mm

width: 386 mm

height: 266 mm

## Material and weight

Weight: 29.5 kg

Material: GRP

## Applicable standards

EN 50119-1: 2009

EN 50123-1: 2003

EN 50124-1: 2001

## Specifications

Nominal voltage: 1.5 kV DC

Rated operating current: 1 kA

## Comments

- With attachment cross bracket
- Without drilled hole for entries and exits Use
- Cylinder of a lock as per indication, the keys are included