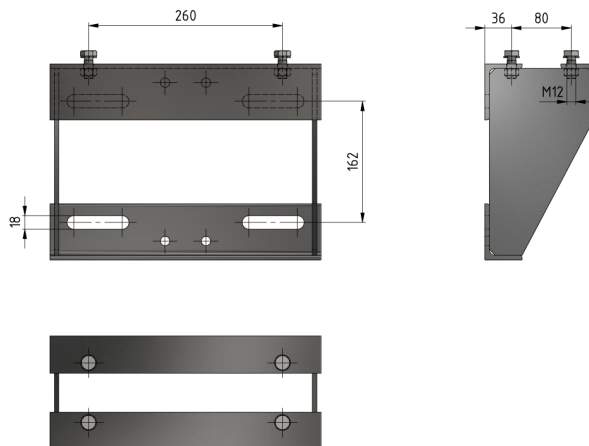
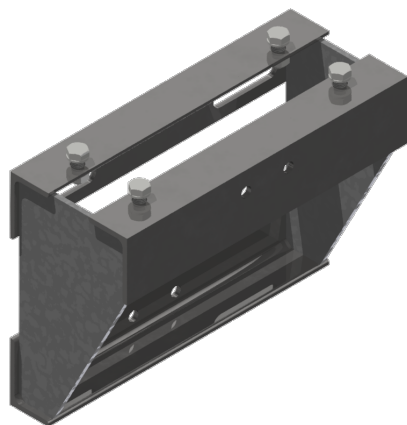


Bracket for disconnect switch Duplex and arcing horns, off-set crosswise, at the end of pole, to poles HEB 180-260

Item number C0404-01



Material and weight

Weight: 8.450 kg
Material: STL HDG

Comments

- Attachment material for poles HEB:
U-bolt $\varnothing = 16$ mm
Part-no. E0888-... (2 pcs.)
(to be ordered separately)