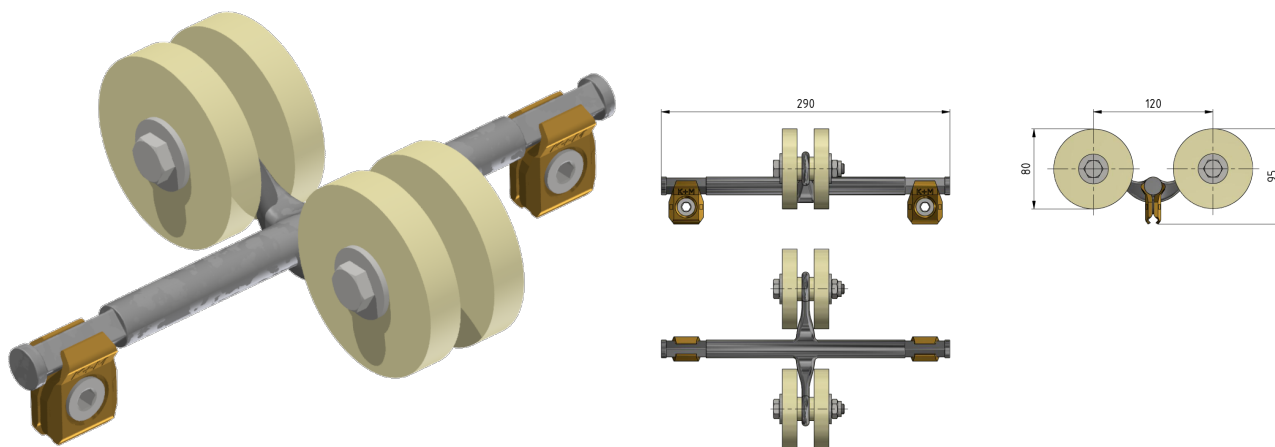


# Insulated support in underpasses

Item number C0696-01



## Specification

Operating voltage: max. 1500 V DC

## Comments

- The movable support is clamped on the grooved contact wire
- Insulation to ground is done with 4 support disc