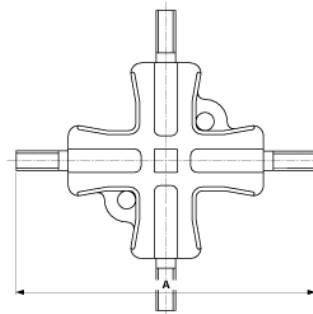


# Crossing piece ETB-ETB, rigid, 90°

Item number C1062-01



## Dimensions

A: 230 mm

## Material and weight

Material: Bz

Weight: 2.520 kg

## Comments

- For tube connection