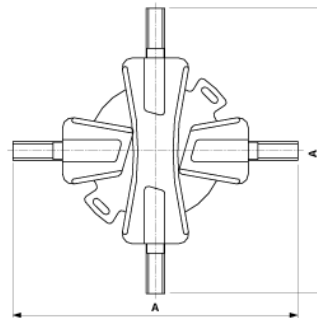


Crossing piece ETB-ETB, adjustable, 45°-90°

Item number C1091-01



Dimensions

A: 260 mm

Material and weight

Material: Bz

Weight: 3.400 kg

Comments

- Adjustable for crossing angles 45°-90°
- For tube connection