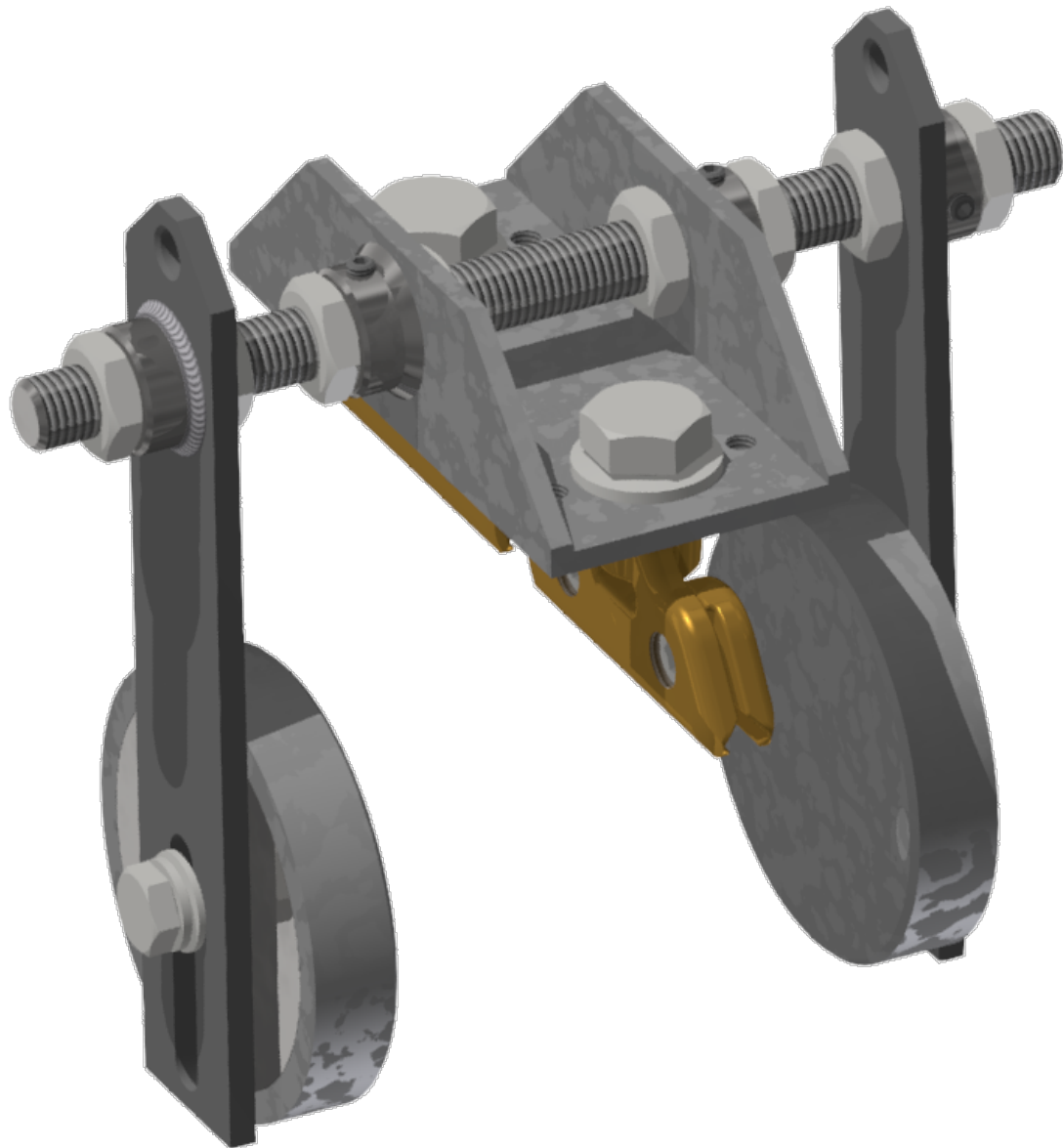


Arc blower ETB on grooved contact wire without insulation, for switch/crossing

Item number C1169-02



Material and weight

Weight: 4.200 kg

Kummler+Matter AG
Rietstrasse 14
8108 Dällikon

Tel. +41 44 247 47 47
info@kummlermatter.ch
kummlermatter.ch

Comments

- Installation on the grooved contact wire without insulation
- Polarity on installation: + contact wire; N in traveling direction right- contact wire; N in

Kummler+Matter

A COLAS RAIL COMPANY

travelling direction left

Kummler+Matter AG
Rietstrasse 14
8108 Dällikon

Tel. +41 44 247 47 47
info@kummlermatter.ch
kummlermatter.ch

