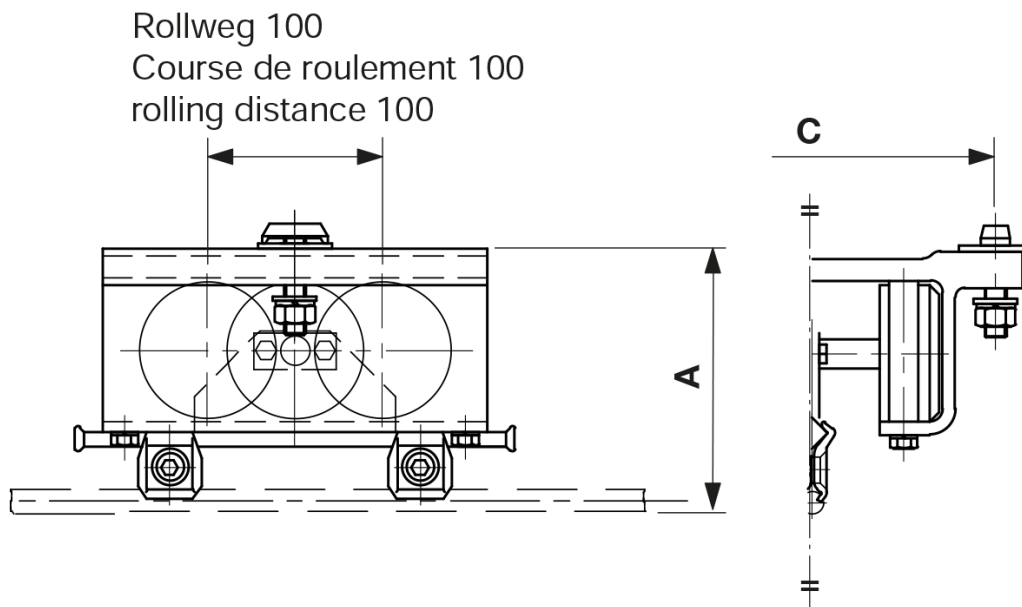


# Movable support L = 210 mm, without contact wire gradient, contact wire holder L = 240 mm

Item number C1394-01



## Dimensions

B: 135 mm  
A: 143.5 mm  
C: 200 mm

## Material and weight

Material: Box profile GRP, pulley synth., contact wire holder STL HDG  
Weight: 3.360 kg

## Specification

Operating voltage: max. 1500 V DC

## Comments

- Rolling distance: for all types 100 mm
- For grooved contact wire 80-120 mm<sup>2</sup>
- Attachment to Unistrut channel type 3 B
- Attachment material is included