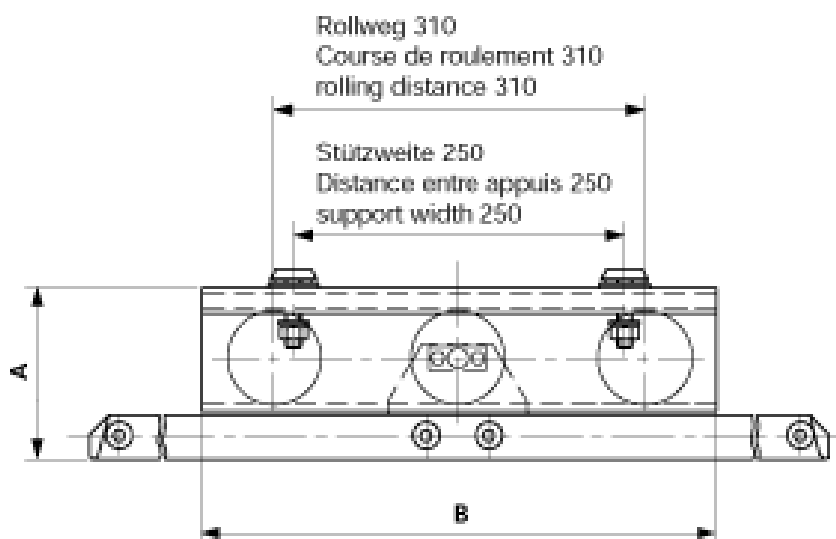


Movable support L = 420 mm, for contact wire gradient 3.0%, contact wire holder L = 1200 mm, with screw M12x70

Item number C1395-10



Dimensions

B: 420 mm

A: 135 mm

Material and weight

Material: Box profile GRP, pulley synth., contact wire holder STL HDG

Specification

Operating voltage: max. 1500 V DC

Comments

- For grooved contact wire 80-120 mm²
- Attachment to Unistrut channel type 3 B
- Attachment material is included