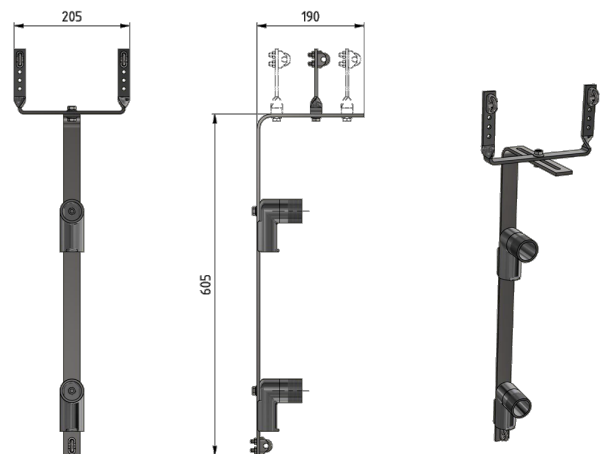
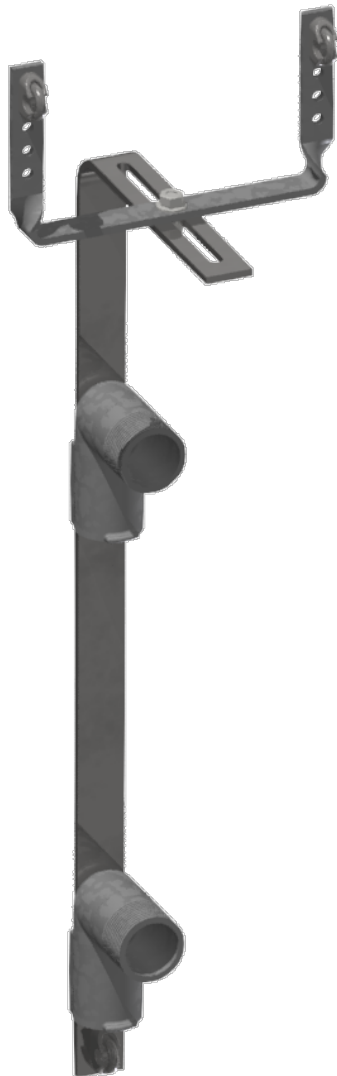


Suspension LED-Matrix to cross-span, 1 cabinet

Item number C1653-01



Material and weight

Material: Al/SST
Weight: 1.620 kg

Kummler+Matter AG
Rietstrasse 14
8108 Dällikon

Tel. +41 44 247 47 47
info@kummlermatter.ch
kummlermatter.ch