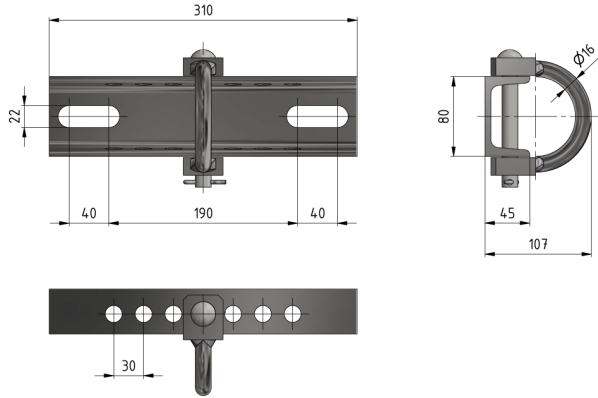
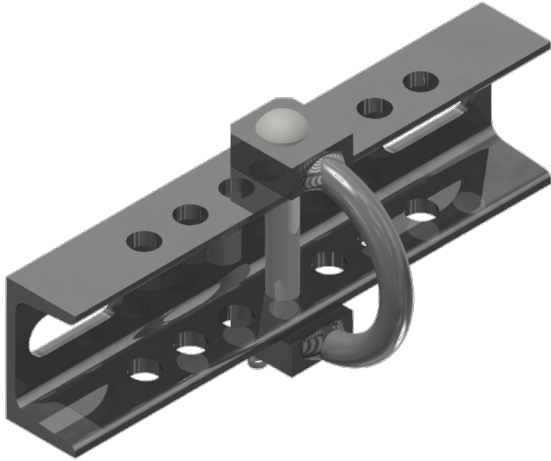


Pole anchor bracket, adjustable, to poles HEB 160-240

Item number C1816-01



Material and weight

Material: STL HDG

Loads

Breaking load: 16 kN

Comments

- For pole anchor bracket C1816-01U-bolt $\varnothing = 20$ mm Part no. E1484-... (1 pc.) (to be ordered separately)
- For pole anchor bracket C1816-02, -03, -04U-bolt $\varnothing = 20$ mm Part no. D1903-... (1 pc.) (to be ordered separately)
- Pole anchor bracket, adjustable with clevis fork, part no. D3178-01 on request