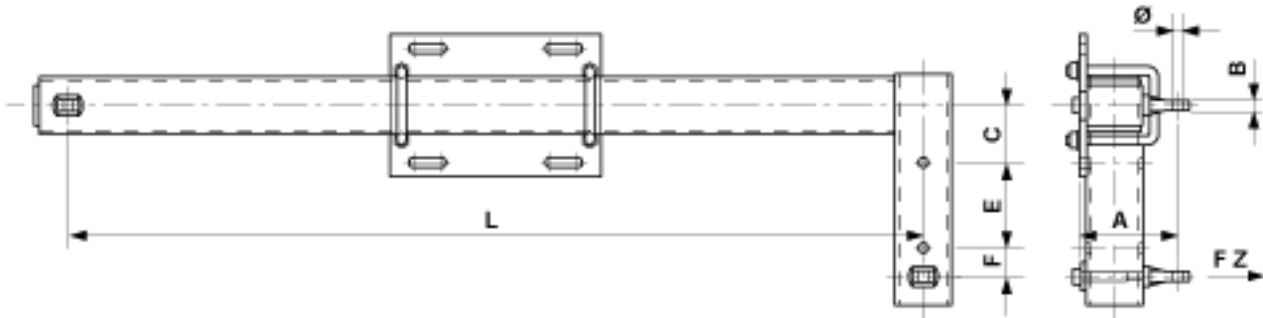


Bracket inclined complete for tension section, with tongue, L = 900 mm

Item number C1866-01



Dimensions

B: 18 mm
Ø: 17 mm
F: 50 mm
L: 900 mm
C: 100 mm
A: 172 mm
E: 150 mm

Material and weight

Weight: 25.000 kg
Material: STL HDG/Al

Loads

Breaking load F on traction: 38 kN

Comments

- Attachment to poles HEB 180-260
- U-bolts Ø= 16 mm, part no. E0888-.. (2 pcs.)(to be ordered separately)