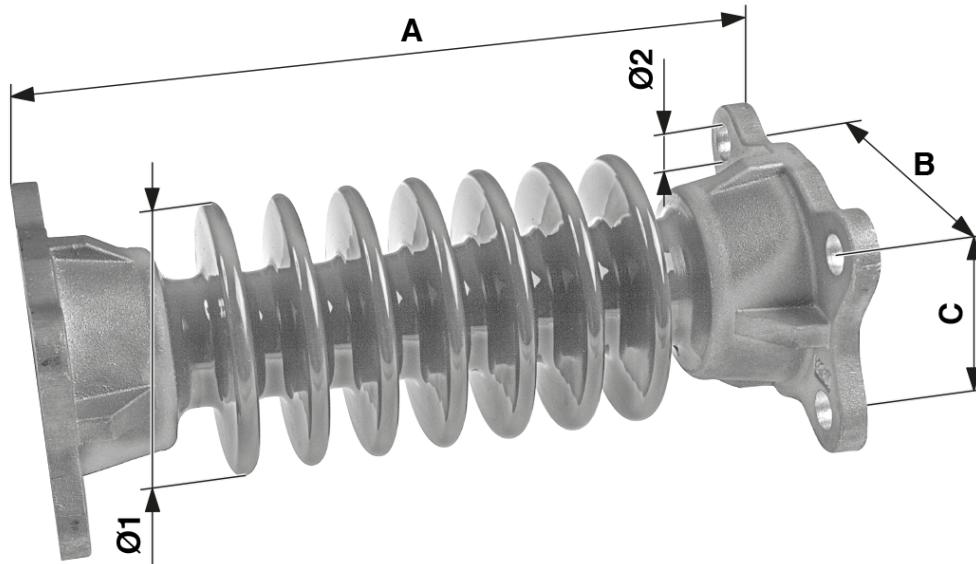


# Pipe-end insulator with flange complete, ceramic, 7 sheds

Item number C1975-01



## Dimensions

B: 140 mm  
C: 80 mm  
A: 366 mm  
Ø2: 18 mm  
Ø1: 130 mm

## Material and weight

Weight: 7.060 kg

## Loads

Breaking load: 38 kN

## Specification

Minimum creeping distance: 600 mm for insulator

Operating voltage: max. 38 kV

## Comments

- Connection parts in Al