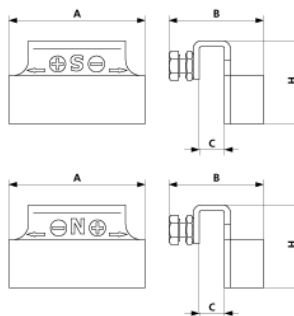
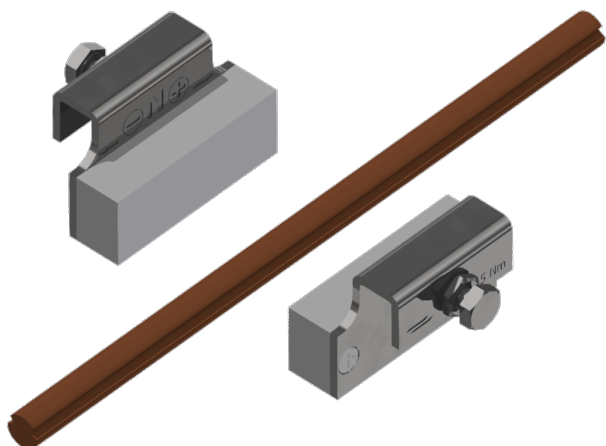


Arc blower ETB complete for section insulator

Item number C2149-01



Dimensions

A: 70 mm

B: 48 mm

C: 13 mm

H: 43 mm

Material and weight

Material: Nickel-acier

Weight: 0.430 kg

Applicable standards

Directive RoHS 2002/95/EC

Function

The magnetic fields blow out the sparks resulting from the crossing of the current collector.

Comments

The section insulator part no. B0786 can be upgraded by mounting the arc blower.