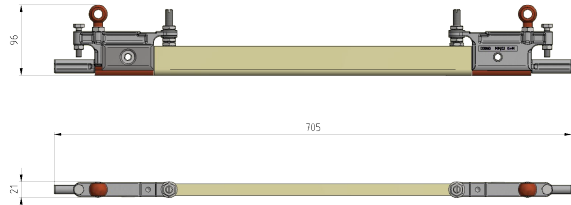
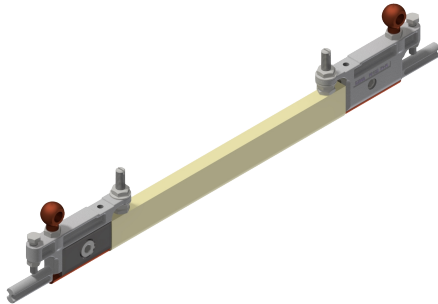


Section insulator ETB 1200 VDC for switches and crossings, L=716mm

Item number C2152-01



Dimensions

height: 175 mm
length: 716 mm
width: 109.5 mm
length of suspension above eyes: 572 mm
length between the contact line: 594 mm

Material and weight

weight: 2 kg
material: INOX / Cu / PA / BZ / ST / tzn

Loads

service load: 15 kN
breaking load: 39.6 kN

Function

For the electrical separation of adjacent contact line sections. Taking into account the max. width of the pantograph head, the two sectors are never connected.

Specification

operating voltage: 1200 V DC
creepage distances: 432 mm
arcing horn distance: 368 mm
contact-wire cross-section: copper pipe height 24 mm
contact-wire cross-section: copper tube width 18 mm
kerf width: copper pipe height 18.6 mm
kerf width: copper pipe width 12.6 mm