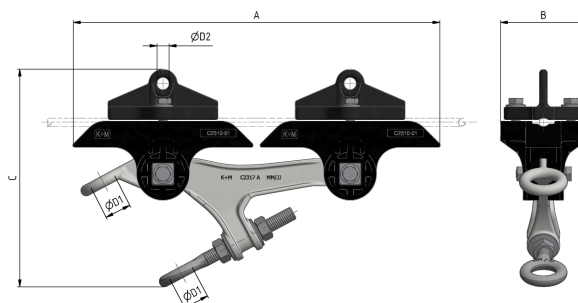


Line insulator to synthetic rope KUSYS type 2 with double suspension eye

Item number C2316-03



Dimensions

A: 334 mm
B: 78 mm
C: 197 mm
ØD1: 24 mm
ØD2: 11 mm

Material and weight

Material: Kst / INOX / Alu
Weight: 1.9 kg

Loads

Breaking load to Synthetic cable, Parafil type A, Ø = 11.0 mm: 6.2 kN (+20°C)
Breaking load to Synthetic cable, Parafil type A, Ø = 13.5 mm: : 10.0 kN (+20°C)
Breaking load suspension eye : 4.5 kN
Tightening torque for bolts and hex-nuts M8: 17 Nm

Applicable standards

DIN EN 50119

DIN EN 50124-1
DIN EN 50151
CEI / IEC 60060-1

Function

Insulator body for fastening to synthetic cross-span ropes, in medium to narrow bends. With cable yoke. Continuously adjustable double suspension eye allowing the attachment of all type curve rail

Specifications

Operating voltage: max. 1500 V DC
Synthetic rope diameter: 11.0 - 13.5 mm

Comments

The application in overhead contact lines requires a wide insulation of the support structure to the support bases. Only synthetic ropes with protective covers can be clamped. Synthetic rope diameter: 11.0 - 13.5 mm. Clamps for other cable diameters on request. The suspension can be mounted to pipes or ceilings by exchanging the clamp.