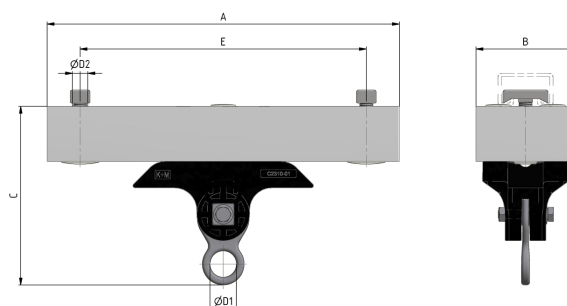


Line insulator to Unistrut channel type 3 B including suspension screws KUSYS type 1 with simple suspension eye

Item number C2370-01



Dimensions

A: 320 mm
B: 90 mm
C: 177 mm
E: 260 mm
ØD1: 24 mm
ØD2: M12

Material and weight

Material: Kst / INOX / Alu
Weight: 2.65 kg

Loads

Breaking load vertical: 5.4 kN
Tightening torque for bolts and hex-nuts M8: 17 Nm
Tightening torque for bolts M12: 40 Nm

Applicable standards

DIN EN 50119
DIN EN 50124-1
DIN EN 50151
CEI / IEC 60060-1

Function

Insulator body for fastening to Unistrut channel type 3B, in straight segments or slight bends. Suspension for tramway hanger wire or steady arms.

Specifications

Operating voltage: max. 1500 V DC

Comments

Attachment to different types of anchoring rails on request.
The suspension can be mounted to cross-spans or pipes by exchanging the clamp.