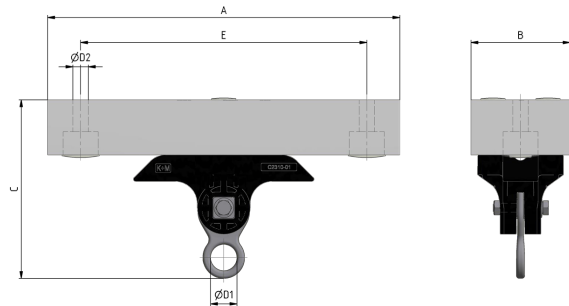


Line insulator to Unistrut channel without suspension screws KUSYS type 1 with simple suspension eye

Item number C2370-02



Dimensions

A: 320 mm
B: 90 mm
C: 162 mm
E: 260 mm
ØD1: 24 mm
ØD2: 14 mm

Material and weight

Material: Kst / INOX / Alu
Weight: 2.55 kg

Loads

Breaking load vertical: 5.4 kN
Tightening torque for bolts and hex-nuts M8: 17 Nm
Tightening torque for bolts M12: 40 Nm

Applicable standards

DIN EN 50119
DIN EN 50124-1
DIN EN 50151
CEI / IEC 60060-1

Function

Insulator body for fastening to Unistrut channel, in straight segments or slight bends. Suspension for tramway hanger wire or steady arms

Specifications

Operating voltage: max. 1500 V DC

Comments

Attachment to different types of anchoring rails on request.
The suspension can be mounted to cross-spans or pipes by exchanging the clamp.