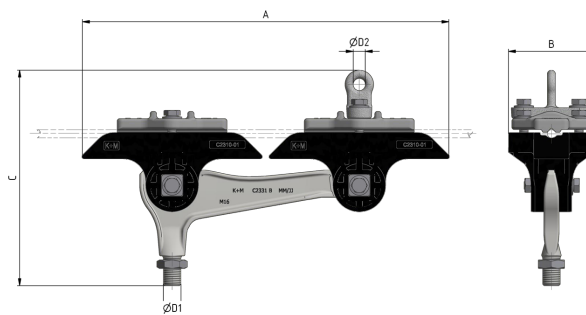
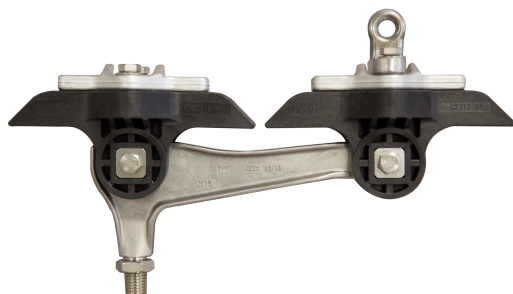


Line insulator to steel cable KUSYS type 2 with suspension threaded bolt M16 rigid and suspension eye

Item number C2381-02



Dimensions

A: 334 mm
B: 78 mm
C: 196 mm
ØD1: M16
ØD2: 11 mm

Material and weight

Material: Kst / INOX / Alu
Weight: 1.8 kg

Loads

Bruchlast der Aufhängeöse: 1.2 kN
Breaking load horizontal: 7.5 kN
Tightening torque for bolts and hex-nuts M8: 17 Nm

Applicable standards

DIN EN 50119
DIN EN 50124-1
DIN EN 50151

CEI / IEC 60060-1

Function

Insulator body for fastening to cross-spans, in medium to narrow bends. With cable yoke. Threaded bolt rigid, suspension allowing the attachment of various railway, tramway and trolley bus components.

Specification

Operating voltage: max. 1500 V DC
Cable diameter: 7.0 - 9.5 mm

Comments

The application in overhead contact lines requires a wide insulation of the support structure to the support bases. Clamping is possible on the following cables: steel hot-dip galvanised and steel/copper. The suspension can be mounted to pipes or ceilings by exchanging the clamp.