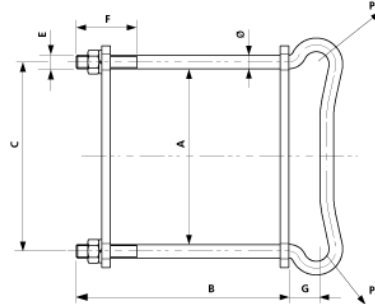
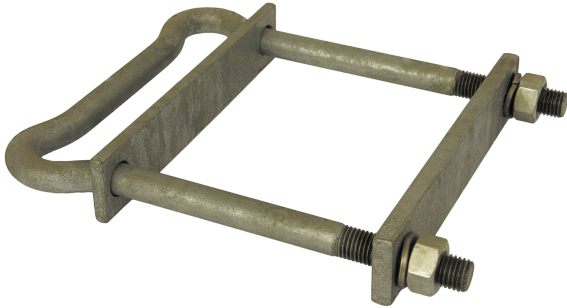


# U-bolt for 2 pull-off $\varnothing = 16$ mm to HEB 200

Item number D0247-03



## Dimensions

A: 206 mm  
C: 222 mm  
E: M16  
F: 70 mm  
G: 35 mm  
B: 250 mm  
 $\varnothing$ : 16 mm

## Material and weight

Material: STL HDG

Weight: 3.240 kg

## Loads

Permitted tensile load P: 13 kN

## Comments

- U-bolts for 2 pull-off  $\varnothing = 16$  mm  
for poles type HEA and HEM on request