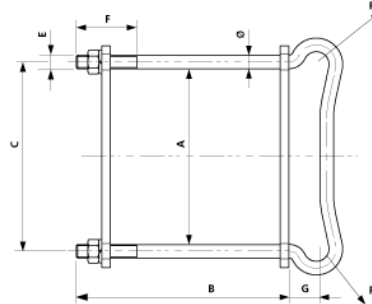
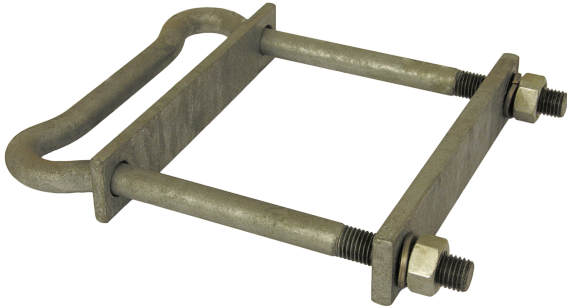


U-bolt for 2 pull-off $\varnothing = 16$ mm to HEB 240

Item number D0247-05



Dimensions

A: 246 mm
C: 262 mm
E: M16
F: 70 mm
B: 290 mm
G: 35 mm
 \varnothing : 16 mm

Material and weight

Material: STL HDG

Loads

Permitted tensile load P: 13 kN

Comments

- U-bolts for 2 pull-off $\varnothing = 16$ mm
for poles type HEA and HEM on request