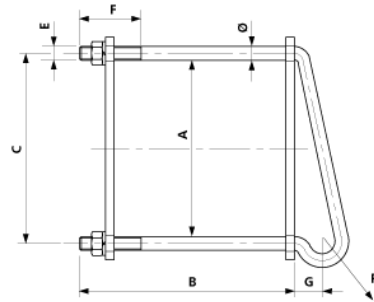
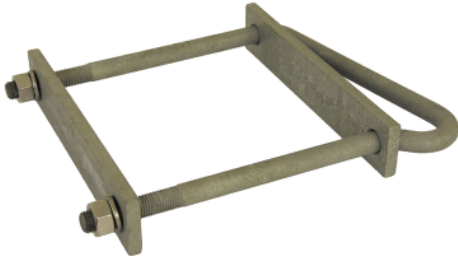


U-bolt for 1 pull-off $\varnothing = 16$ mm to HEB 200

Item number D0250-03



Dimensions

A: 206 mm

C: 222 mm

E: M16

F: 70 mm

B: 250 mm

G: 53 mm

\varnothing : 16 mm

Material and weight

Material: STL HDG

Weight: 3.140 kg

Loads

Permitted tensile load P: 13 kN

Comments

- U-bolts for 1 pull-off $\varnothing = 16$ mm
for poles type HEA and HEM on request