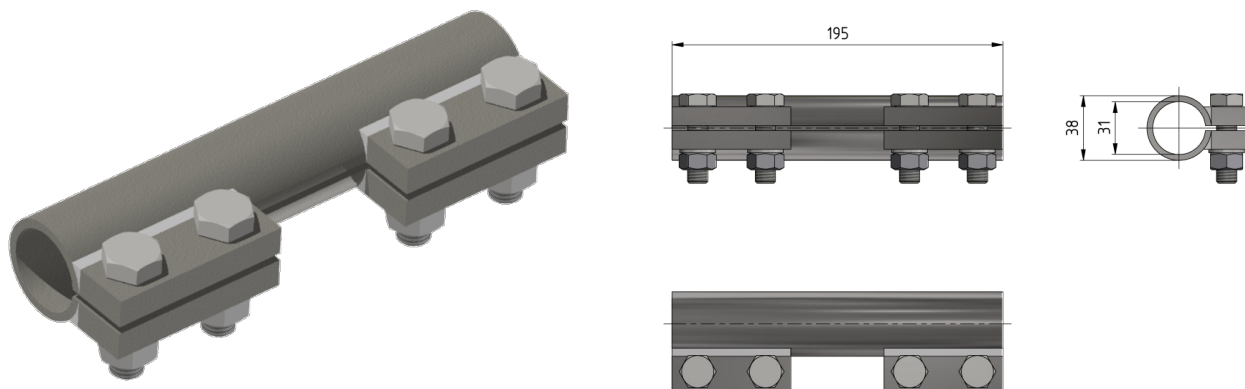


## Coupling for operating rod $\varnothing = 30$ mm

Item number D0868-01



### Material and weight

Weight: 1.350 kg  
Material: STL HDG