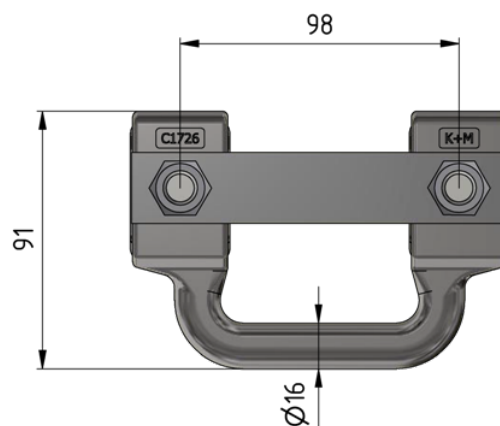
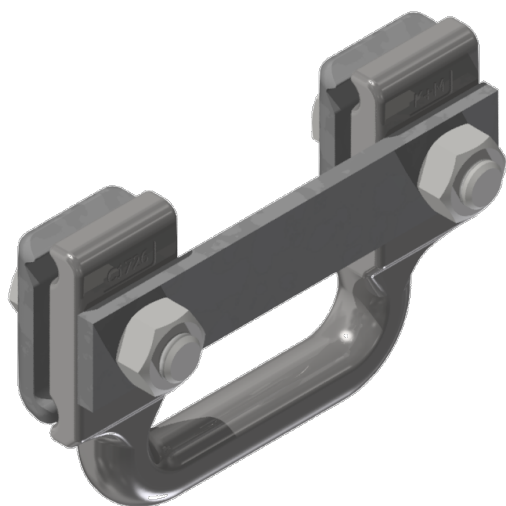


Clamping bow complete without lever arm

Item number D0941-02



Dimensions

A: 98 mm

\varnothing : 16 mm

Material and weight

Material: SST

Weight: 0.890 kg

Comments

- Attachment to steel/steel-copper cables 26-50 mm²