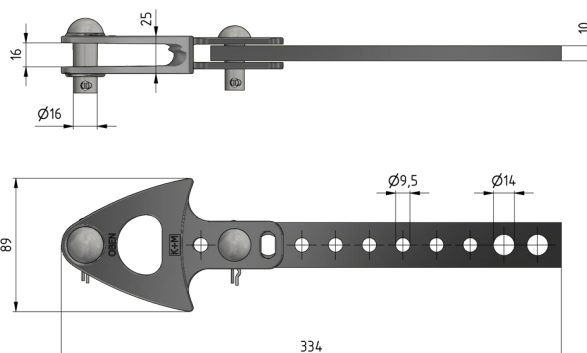


# Support for curve bow with punched bar for double support

Item number D0982-01



## Dimensions

$\varnothing$ : 16 mm  
 $\varnothing 1$ : 14 mm  
A: 16 mm

$\varnothing 2$ : 9.5 mm

## Material and weight

Weight: 1.070 kg  
Material: SST