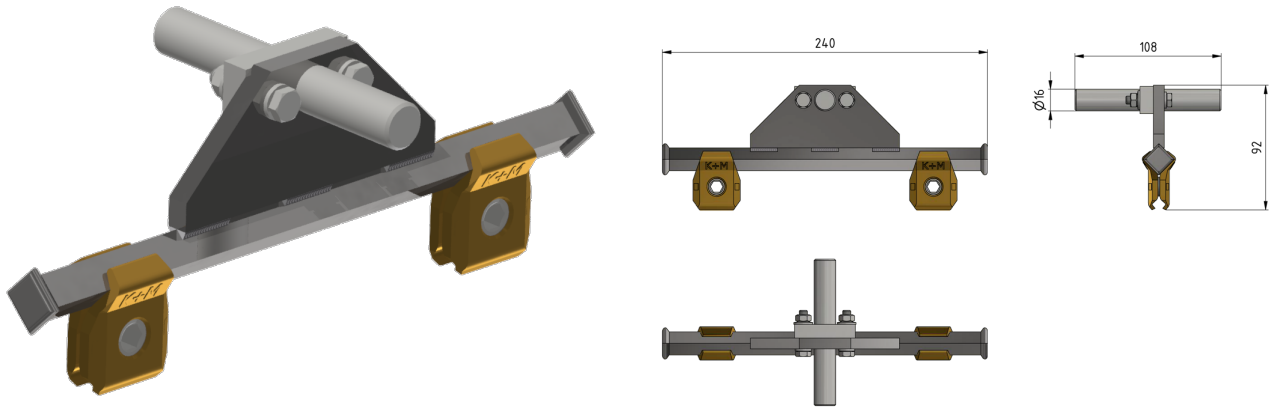


# Contact wire holder L=240 mm, without gradient

Item number D1065-01



Kummler+Matter AG  
Rietstrasse 14  
8108 Dällikon

Tel. +41 44 247 47 47  
info@kummlermatter.ch  
kummlermatter.ch