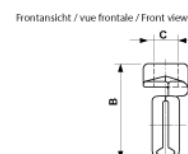
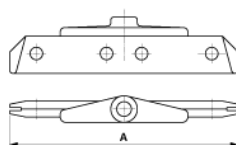
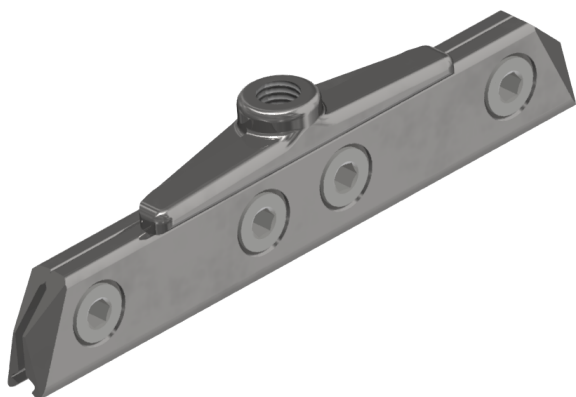


# Clamp short with thread 5/8", for grooved contact wire 80-120 mm<sup>2</sup>

Item number D1081-01



## Dimensions

C: 5/8"  
A: 215 mm  
B: 52 mm

## Material and weight

Material: STL HDG  
Weight: 0.760 kg

## Comments

- For grooved contact wire 80 till 120 mm<sup>2</sup>  
(Other contact wire sections on request)