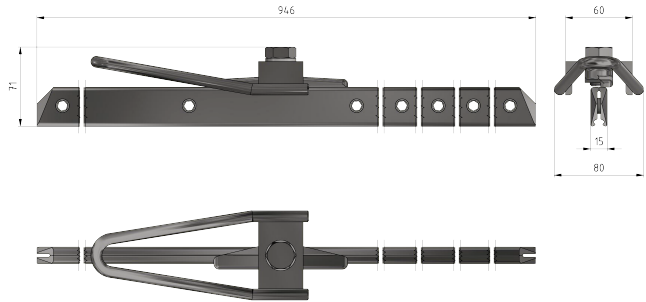


Tension compensation clamp long, with thread 5/8", for 1 grooved contact wire 100-120 mm²

Item number D1132-02



Dimensions

L: 946 mm

Material and weight

Weight: 3.675 kg

Material: STL HDG

Loads

P permissible: 13 kN