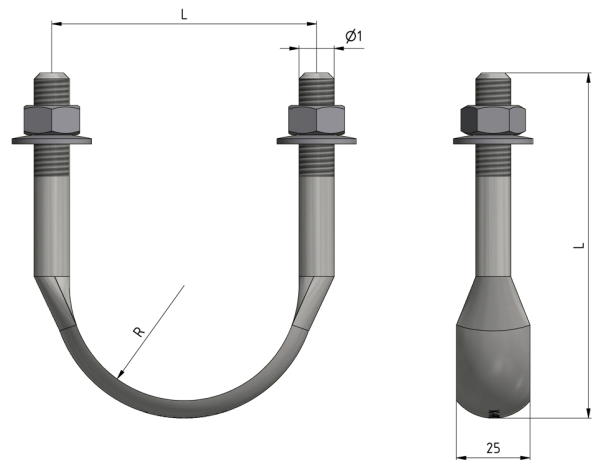
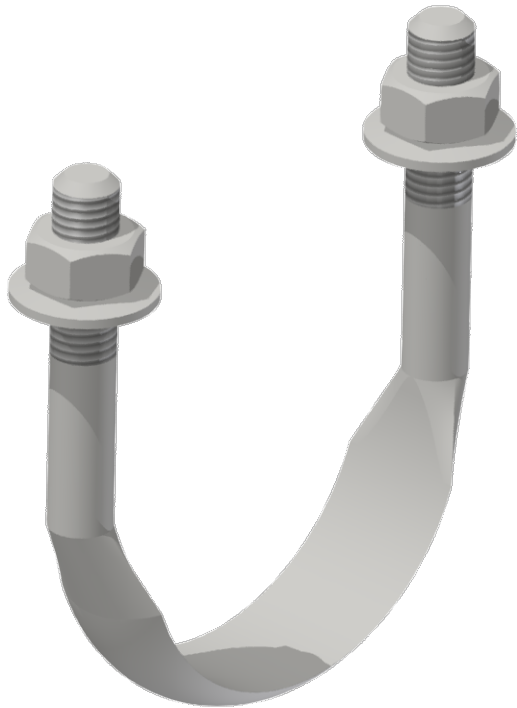


U-bolt M12 complete flatted to pipe G2.5", L = 111 mm

Item number D2340-07



Dimensions

Ø: M12
A: 90 mm
B: 25 mm
R: 39 mm

L: 111 mm

Material and weight

Weight: 0.280 kg
Material: SST