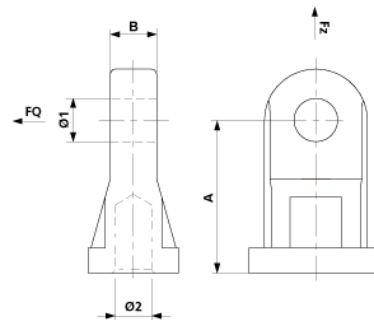


# Tongue, with thread M16

Item number D2357-01



## Dimensions

A: 60 mm  
Ø2: M16  
B: 18 mm  
Ø1: 17 mm

## Material and weight

Weight: 0.160 kg  
Material: Al

## Loads

Breaking load F on traction: 38 kN  
Breaking load F across: 18 kN

## Specification

Thread depth: 18 mm

## Comments

- Use: Multifunction for various ARCAS parts