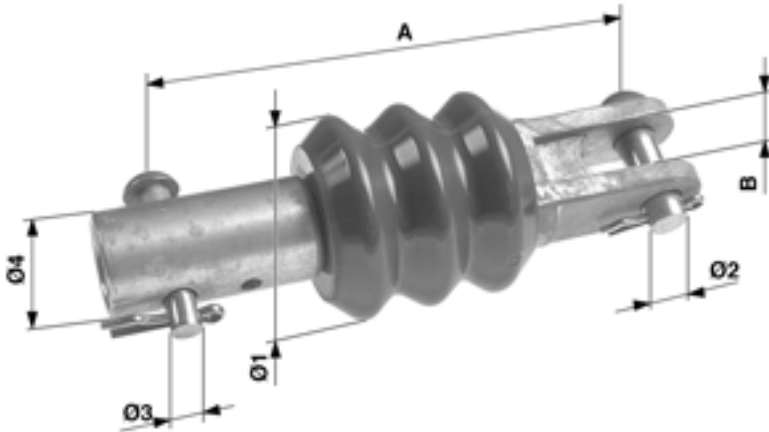


Pipe-end insulator with clevis complete, composite, to pipe G2.5"

Item number D2373-01



Dimensions

Ø2: 16 mm
Ø3: 12 mm
Ø1: 80 mm
A: 192.5 mm
B: 21.5 mm
Ø4: 66.8 mm

Loads

Breaking load: 30 kN

Specification

Operating voltage: max. 3.000 kV
Minimum creeping distance: 92 mm for insulator

Comments

- Connection parts in Al
- Pin and cotter pin SST
- Other insulators on request