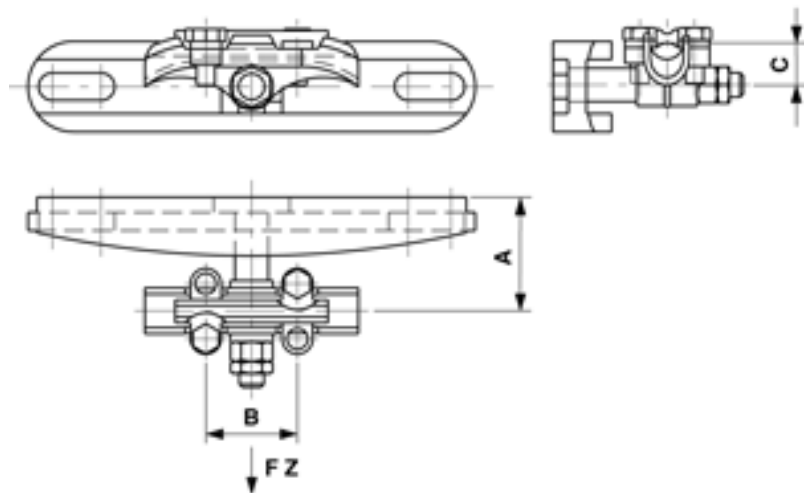


Suspension ground cable to wide flange poles, HEB 180-240 for groundig cable 50-150 mm²

Item number D2479-01



Dimensions

C: 28 mm

B: 60 mm

A: 75 mm

Material and weight

Weight: 1.700 kg

Material: Al/SST/Bz

Loads

Breaking load F: 20 kN

Comments

- Cable diameter max. 15.9 mm

- U-bolt \varnothing = 16 mm

Part no. E0888-... (1 pc.)(to be ordered separately)