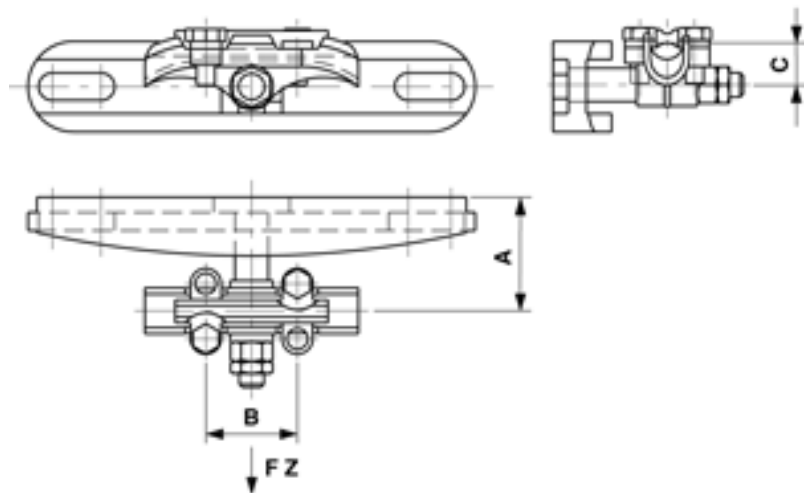


# Suspension ground cable to wide flange poles, HEB 100-160 for groundig cable 50-150 mm<sup>2</sup>

Item number D2479-03



## Dimensions

B: 60 mm

A: 75 mm

C: 28 mm

## Material and weight

Material: Al/SST/Bz

## Loads

Breaking load F: 20 kN

## Comments

- Cable diameter max. 15.9 mm

- U-bolt  $\varnothing$ = 16 mm

Part no. E0888-... (1 pc.)(to be ordered separately)