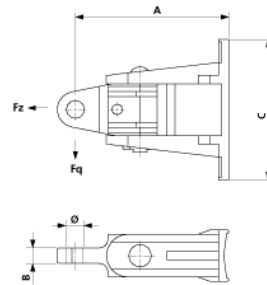
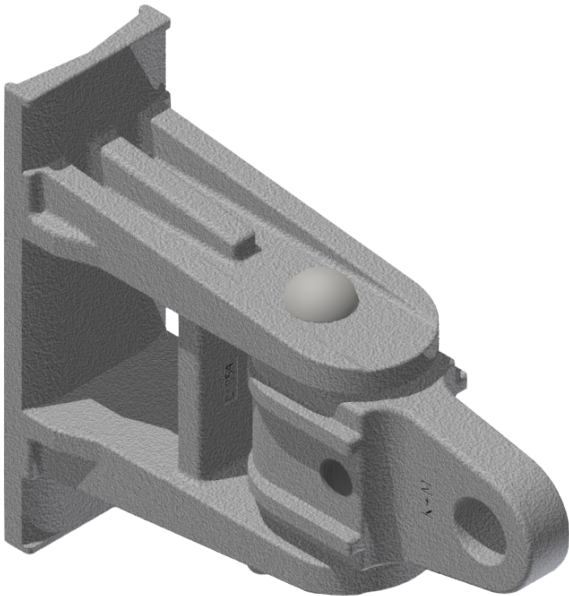


Hinge with tongue vertical, complete, to round pole

Item number D2563-01



Dimensions

B: 18 mm
Ø: 21 mm
C: 164.5 mm
A: 178 mm

Material and weight

Weight: 1.320 kg
Material: Al/SST

Loads

Breaking load F on traction: 38 kN
Breaking load F across: 14 kN
Breaking moment: with installation locking device 950 Nm

Comments

- Attachment to round poles $D = > 150$ mm
- Pole clamps with band to be ordered separately
- The attachment material to bracket (straight or inclined) must be ordered separately