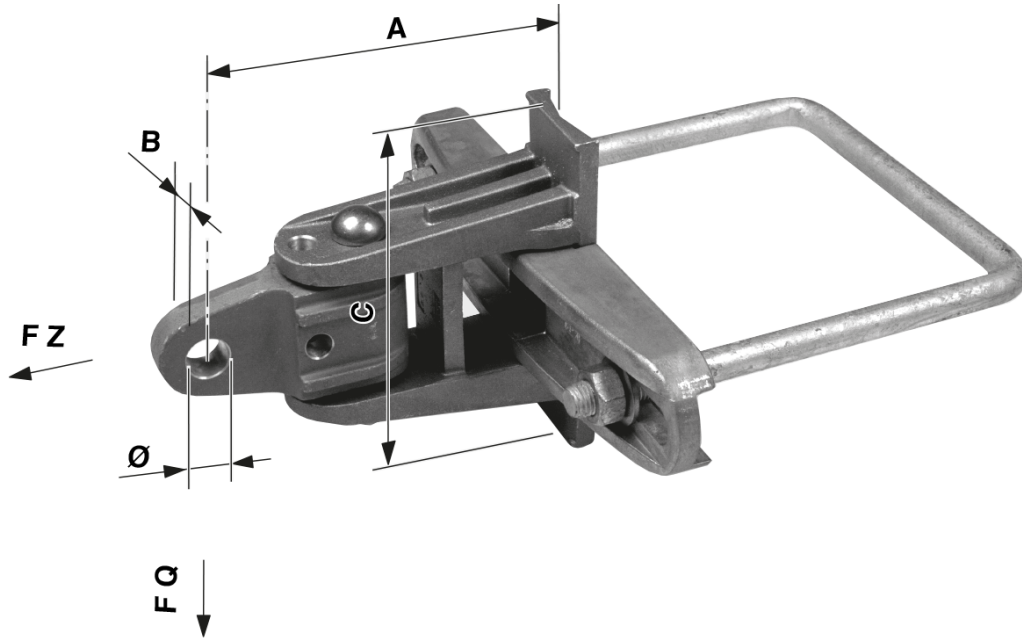


Hinge universal with tongue vertical, complete, to HEB 220

Item number D2572-04



Dimensions

B: 18 mm
Ø: 21 mm
C: 164.5 mm
A: 178 mm

Material and weight

Material: Al/SST
Weight: 3.350 kg

Loads

Breaking load F on traction: 38 kN
Breaking load F across: 14 kN
Breaking moment: with installation locking device 950 Nm

Comments

- Attachment to poles HEB 180-240
- The bracket for the hinge complete, part no. C 1853-01 or C 1873-01 (wide) and the U-bolt Ø= 16 mm (STL HDG) is included
- Hinge to poles HEA, HEM and other poles dimensions on request