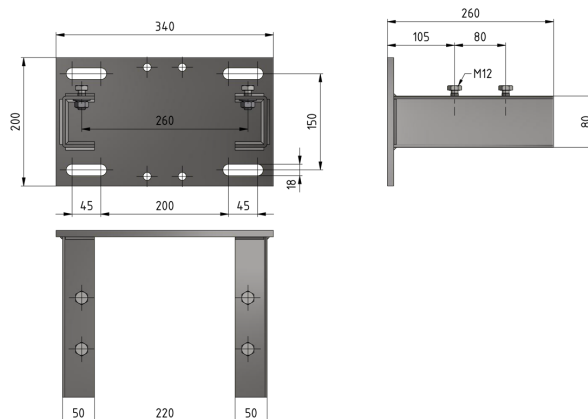
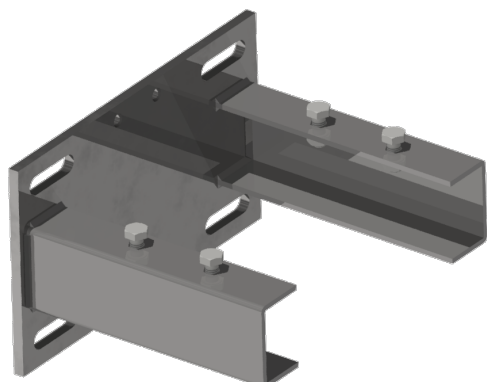


Bracket for disconnect switch Duplex and arcing horns, off-set crosswise, alongside pole HEB 180-260

Item number D2939-01



Dimensions

E: 18 mm
Ø: M12
A: 260 mm
B: 80 mm
C: 105 mm
D: 150 mm

Material and weight

Material: STL HDG

Comments

- Attachment material for poles HEB:
U-bolt Ø= 16 mm
Part-no. E0888-... (2 pcs.)
(to be ordered separately)
- Attachment material to wall
on request