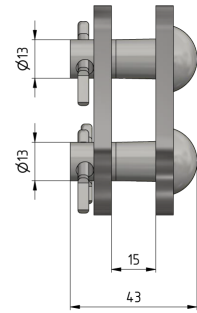
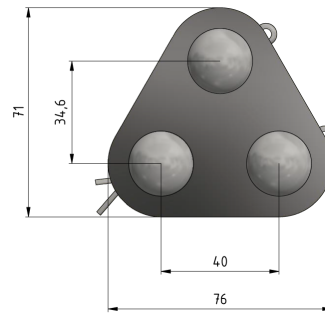
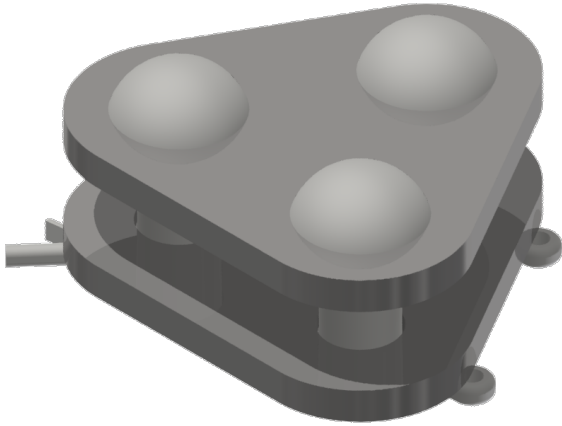


# Triangular plate double with pin

Item number E0102-02



## Dimensions

C: 15 mm  
A: 40 mm  
B: 34.6 mm  
Ø1: 13 mm  
Ø2: 13 mm

## Material and weight

Material: STL HDG  
Weight: 0.500 kg

## Loads

Breaking load: 50 kN