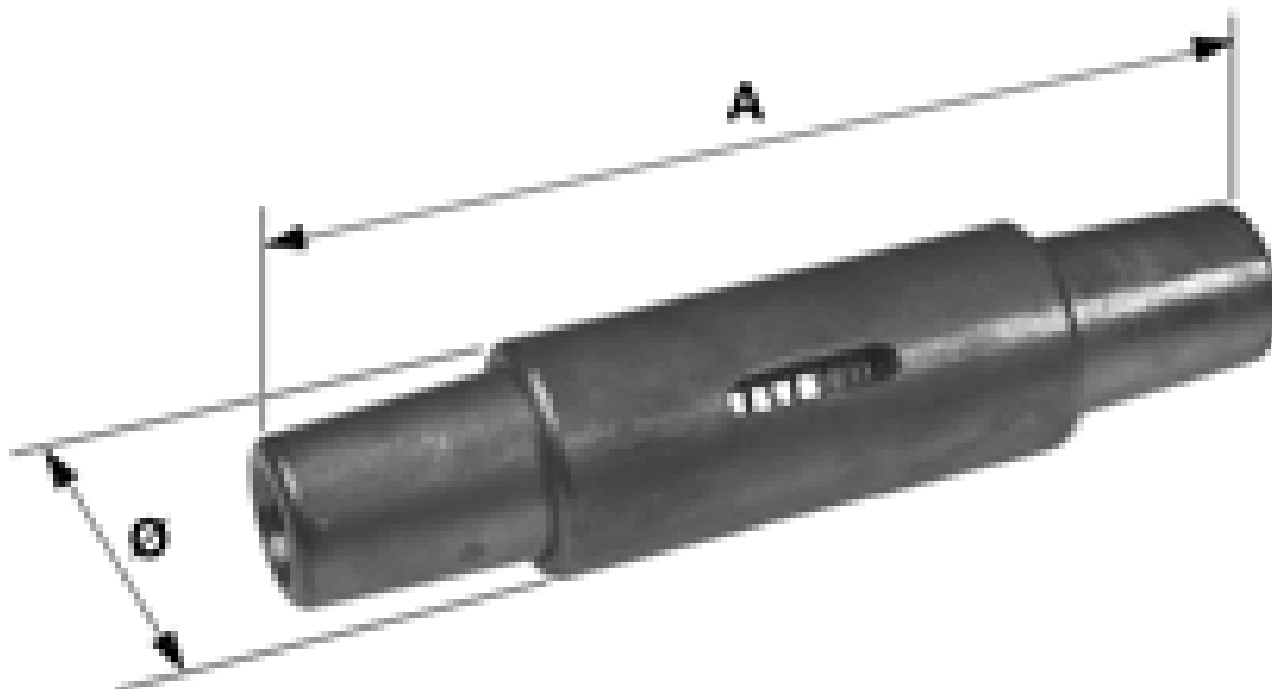


Coupling for cable 95 mm²

Item number E0637-17



Dimensions

A: 155 mm

Ø: 35 mm

Material and weight

Weight: 0.700 kg

Material: CuNiSi

Loads

Breaking load: 65 kN

Comments

- Please indicate when ordering cable section, cable diameter, make up and quantity of strands
- Additional types on request