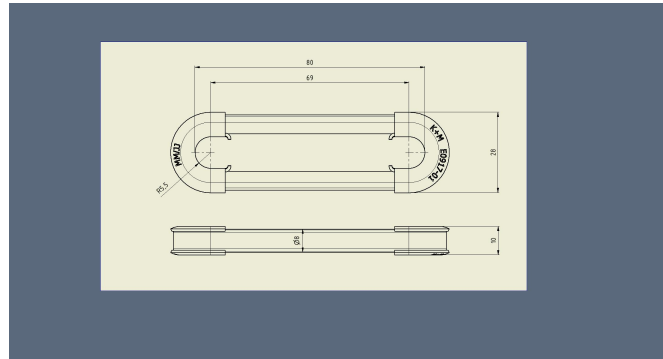


# Loop insulator with open thimbles

Item number E0917-01



## Material and weight

Material

Thimble: Stainless steel

Wrapping: Glass fibre composite

Weight: 0.040 kg

## Loads

Breaking load: 23,544 kN / 2400 kg

Permissible Load: 7350 N / 750 kg

## Specification

Operating voltage: max. 0.75 kV

Flashover voltage dry: 24 kV

Flashover voltage wet sprinkled: 7,5 kV

## Comments

- Surface with ultraviolet-proof protecting lacquer
- We draw your attention to the fact that the loop insulators are not suitable for areas exposed to external influences (sea side, areas with extreme environmental pollution).
- No load on torsion