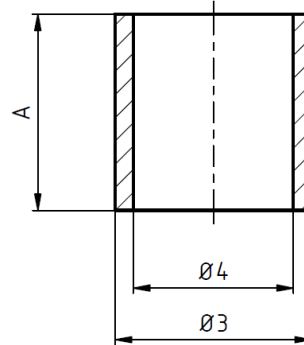
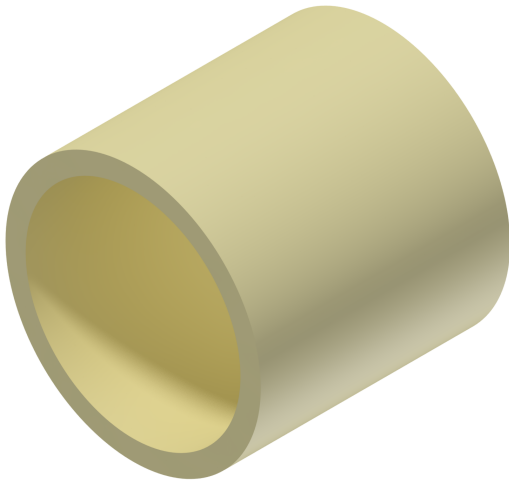


Insulating sleeve, M36 for pole with base plate

Item number E1343-04



Dimensions

A: 43 mm
Ø3: 44 mm
Ø4: 37 mm

Material and weight

Weight: 0.022 kg
Material: UP GM 202

Specification

Breakdown voltage: 12 kV/mm (for all insulating sleeves)