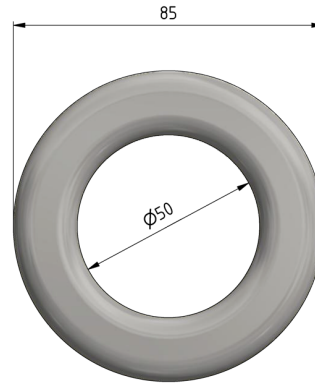
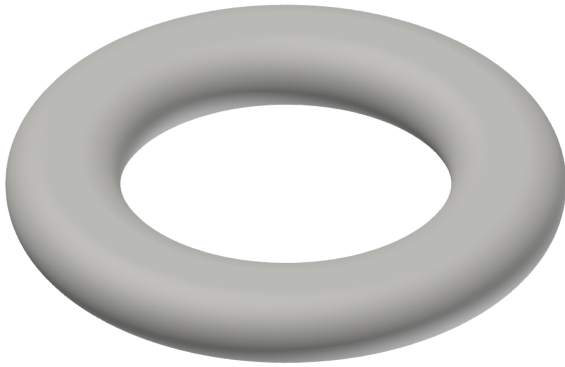


Bull ring small, Ø inside = 50 mm

Item number E1427-01



Dimensions

Ø1: 50 mm

A: 12 mm

Ø2: 85 mm

Material and weight

Weight: 0.300 kg

Material: STL HDG

Loads

Breaking load: 43.5 kN