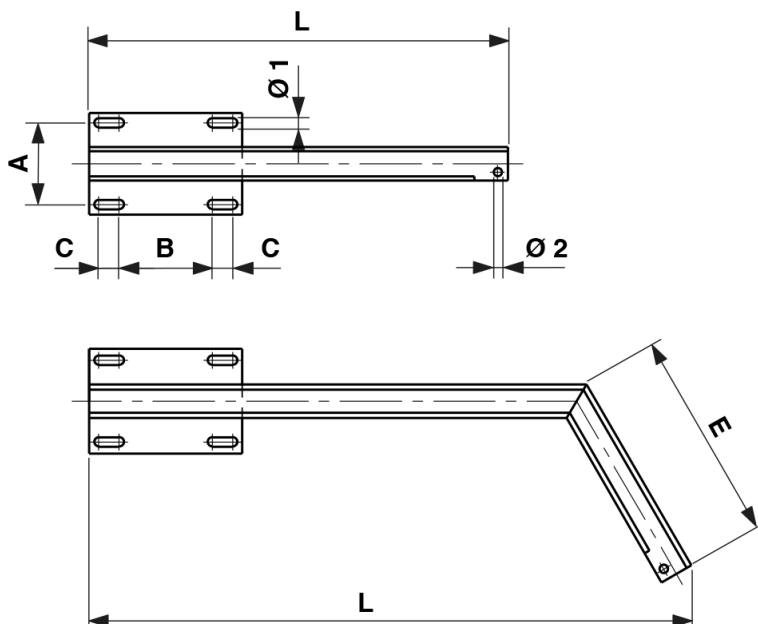


# Cranked stand-off bracket for wide flange pole, fix, straight for suspension on one side

Item number E1588-01



## Dimensions

A: 160 mm  
B: 182 mm  
C: 57 mm  
Ø1: 18 mm  
Ø2: 16 mm  
L: 805 mm

## Material and weight

Weight: 10.600 kg  
Material: STL HDG

## Comments

- Attachment to poles HEB 160-240
- U-bolt Ø= 16 mm Part no. E0888-...(2 pieces)(to be ordered separately)