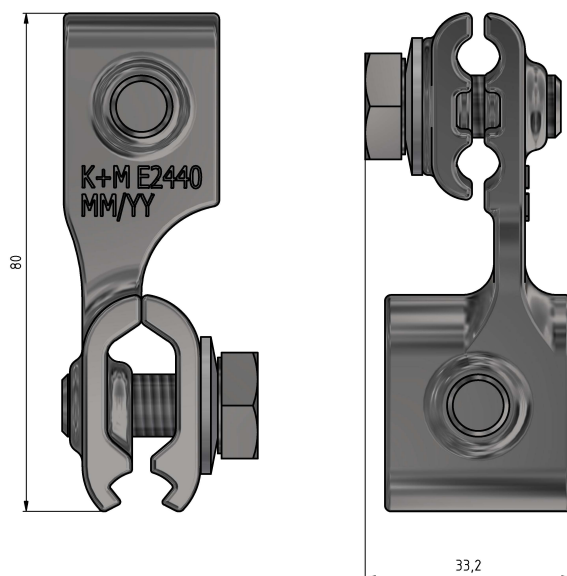


Contact wire clamp VWS

Item number E2440-01



Dimensions

B: 79.5 mm

A: 30 mm

Material and weight

Weight: 0.270 kg

Material: STL HDG

Comments

- For grooved contact wire 80-120 mm²(Other contact wire sections on request)