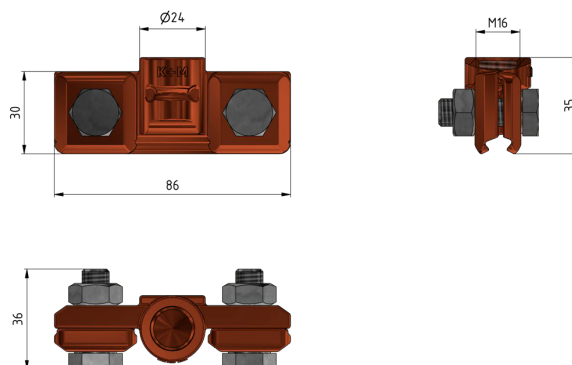
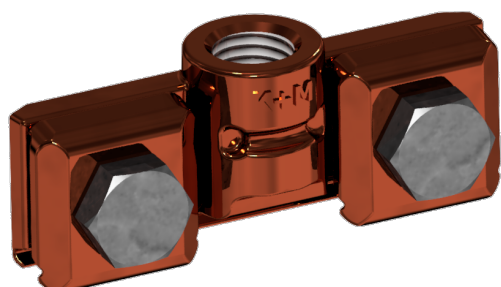


Contact wire clamp complete, with thread M16

Item number E3183-01



Material and weight

Weight: 0.345 kg
Material: CuNiSi

Comments

- For grooved contact wire 80-120 mm²(Other contact wire sections on request)