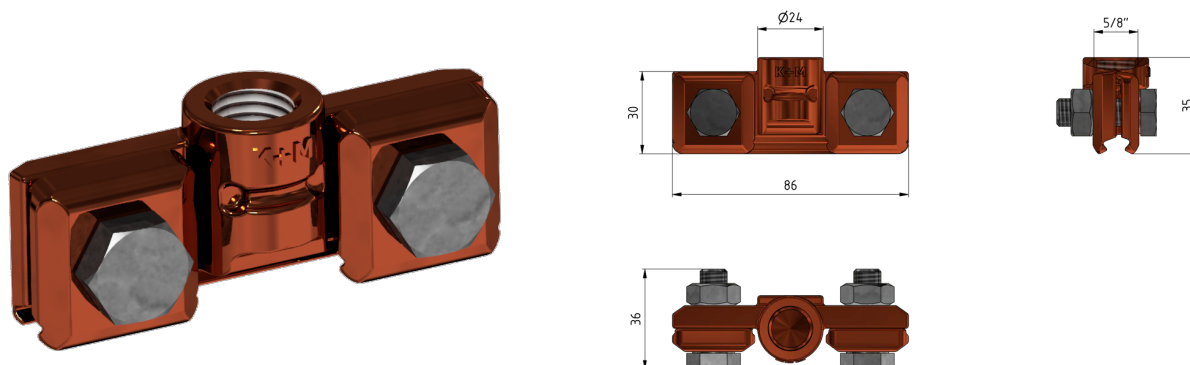


Contact wire clamp complete, with thread 5/8"

Item number E3183-02



Dimensions

A: 86 mm

B: 35 mm

C: 5/8"

Material and weight

Weight: 0.345 kg

Material: CuNiSi

Comments

- For grooved contact wire 80-120 mm²(Other contact wire sections on request)