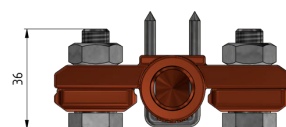
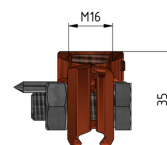
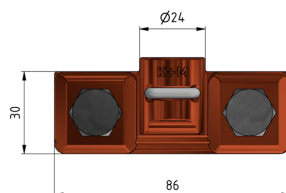
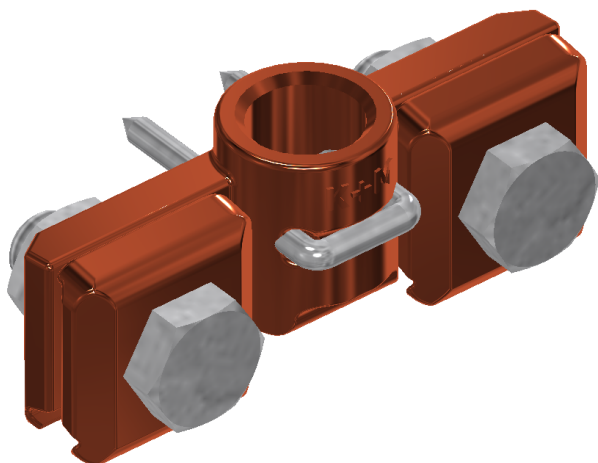


Contact wire clamp complete, with ring nut $\varnothing = 16$ mm

Item number E3183-03



Dimensions

A: 86 mm

C: 16 mm

B: 35 mm

Material and weight

Weight: 0.345 kg

Material: CuNiSi

Comments

- For grooved contact wire 80-120 mm²(Other contact wire sections on request)