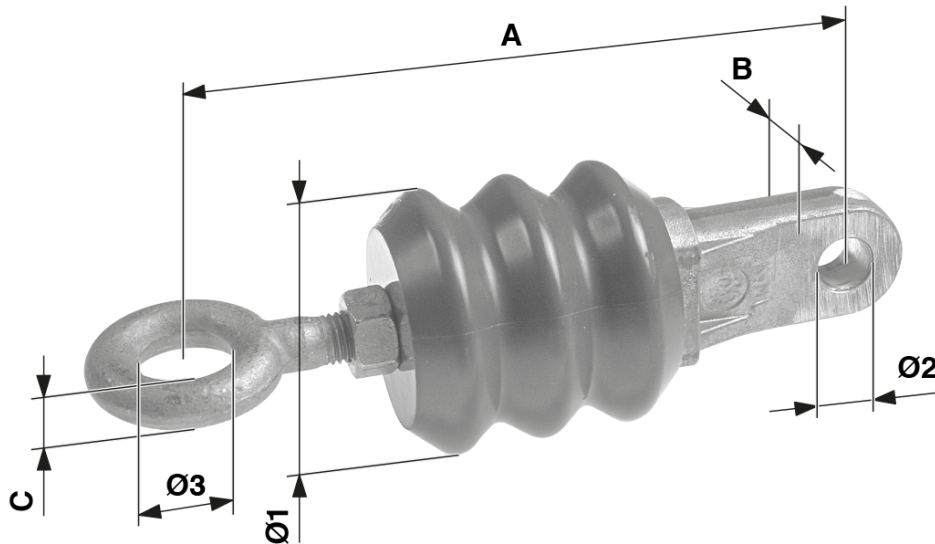


# Insulator with clevis eye and tongue complete, composite, $\varnothing = 80$ mm

Item number E3301-01



## Dimensions

A: 200 mm

B: 18 mm

Ø2: 17 mm

Ø1: 80 mm

C: 14.5 mm

Ø3: 27 mm

## Material and weight

Weight: 1.140 kg

## Loads

Breaking load: 30 kN

## Specification

Operating voltage: max. 3.000 kV

Minimum creeping distance: 120 mm

## Comments

- Connection parts in Al/STL HDG